

Foot Mounts

HFB-A,B,C Series



Features and Handling

Foot bracket kits can be used to mount pumps or motors having standard SAE-J744 2-bolt A, B, or C mounting flanges. These designations correspond to -A-, -B-, and -C- letters in the kit model number. Each kit includes a bracket and screws for mounting to the pump or motor. Kits are not included with pumps and motors and must be ordered separately by model number.



Ordering Code

HFB - A

1

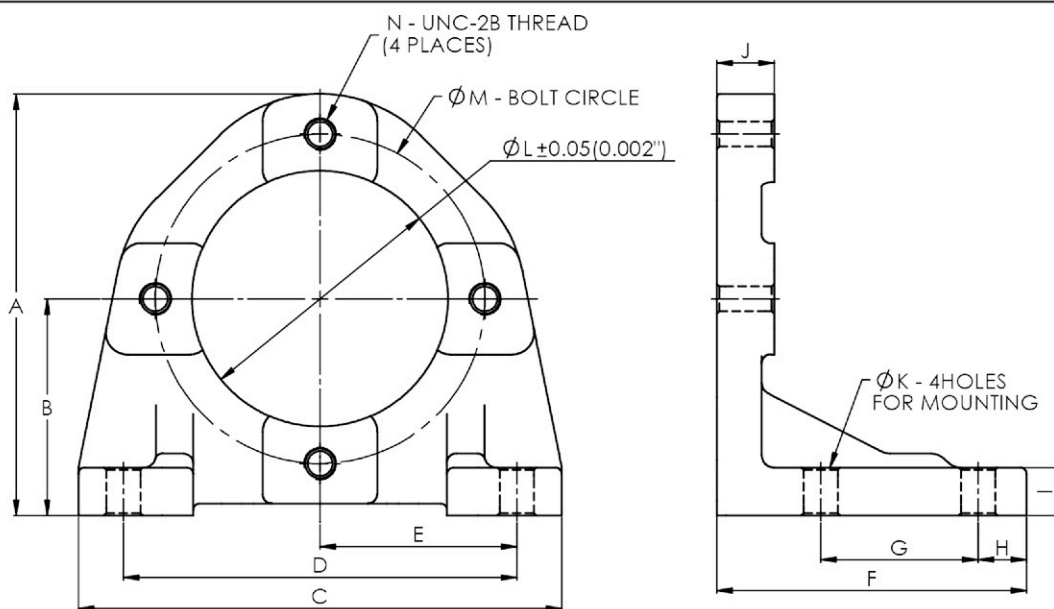
2

1 Model: HFB

2 Size: A,B,C

Specification and Installation Dimensions mm (inch)

HFB-A,B,C



Model	A	B	C	D	E	F	G	H	I	J	K	L	M	N
HFB-A	134.9 (5.31)	69.9 (2.75)	152.4 (6.00)	127.0 (5.00)	63.5 (2.50)	96.0 (3.78)	50.8 (2.00)	12.7 (0.50)	12.7 (0.50)	17.5 (0.69)	11.0 (0.43)	82.6 (3.25)	106.4 (4.19)	3/8" - 16 UNC (Ø8.0±0.1)
HFB-B	180.8 (7.12)	92.2 (3.03)	171.5 (6.75)	146.0 (5.75)	73.0 (2.87)	95.8 (3.77)	50.8 (2.00)	12.7 (0.50)	12.7 (0.50)	19.0 (0.75)	11.0 (0.43)	101.7 (4.00)	146.0 (5.75)	1/2" - 13 UNC (Ø10.8±0.1)
HFB-C	215.9 (8.50)	109.5 (4.31)	265.2 (10.44)	235.0 (9.25)	117.5 (4.63)	131.6 (5.18)	76.2 (3.00)	17.3 (0.68)	16.7 (0.62)	20.5 (0.80)	17.0 (0.66)	127.1 (5.00)	181.0 (7.13)	5/8" - 11 UNC (Ø13.5±0.1)

Size	Foot for HV10,HV20,HV,HVQ,HT6,HT7,HT67,HM
HFB-A	-HV10,HV20,HV10P,HV10F,HV20P,HV20F -HM2-210
HFB-B	-20HV/HVQ,25HV/HVQ -HV2010,HV2020,HV2010P,HV2010F,HV2020P,HV2020F,2520HV/HVQ -HT6C,HT6CM -HT6CC,HT6CCM,HT6CCW,HT6CCMW,HT6CCP,HT6CCZ -25HM
HFB-C	-35HV/HVQ,45HV/HVQ,3520HV/HVQ,3525HV/HVQ -4520HV/HVQ,4525HV/HVQ,4535HV/HVQ -HT6CP,HT6D,HT6DM,HT6DP,HT7DS,HT6E,HT6EM,HT6EP,HT7ES -HT6DC,HT6DCM,HT6DCP,HT6DCW,HT6DCMW,HT67DC,HT67DCW, HT6EC,HT6ECM,HT6ECP,HT67EC,HT6ED,HT6EDM,HT6EDP,HT7EDS -35HM,45HM

(HT7D,HT7ED available upon request)