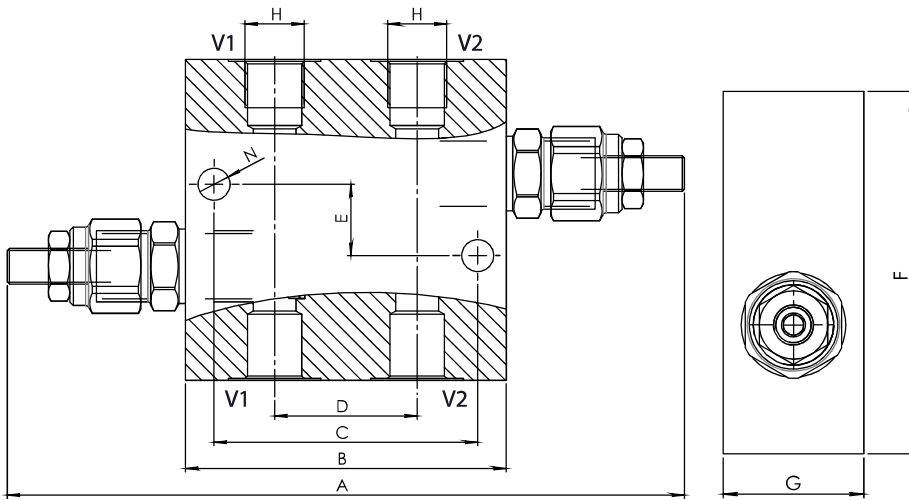
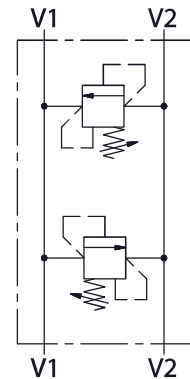


Dimensions

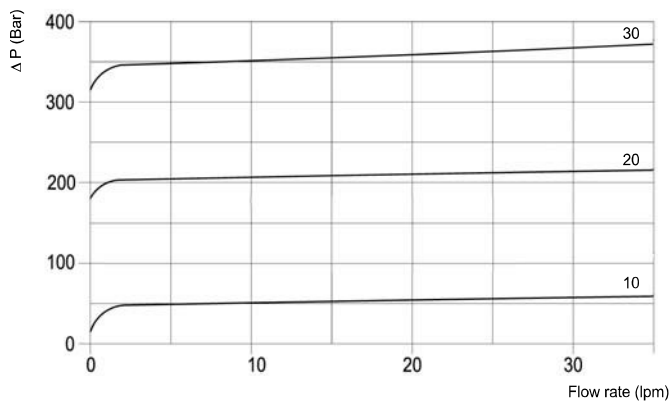


Size	A	B	C	D	E	F	G	H BSP	N	Weight kg
02	190	90	74	40	20	90	35	3/8	9	0,95
03	190	90	74	40	20	90	35	1/2	9	0,93

Hydraulic Symbol



Curves



Features

Rated Flow	35 lpm
Max Pressure	350 bar

Materials: Zinc plated steel cartridge, hardened steel inner parts.
Aluminium manifold.

Ordering Code

DPRL 35 -- -- -

Port Size BSP		Spring (bar)	
02	3/8	10	5-50
03	1/2	20	40-210
		30	100-350

Adjustments

A		Socket Screw
B		Handknob
C		Tamperproof Cap

Ordering Code Example: DPRL350220A = 3/8 Port Size - 40-210 bar setting range, Socket screw adjustment.