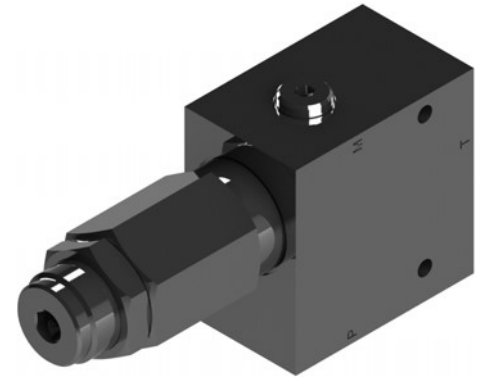
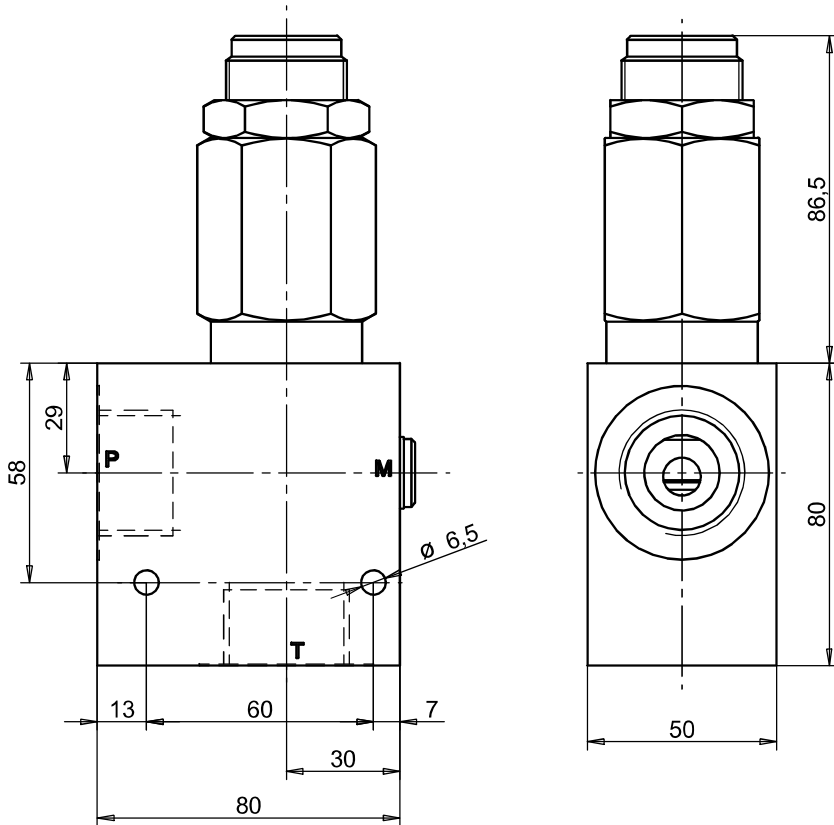
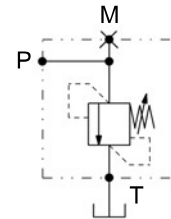


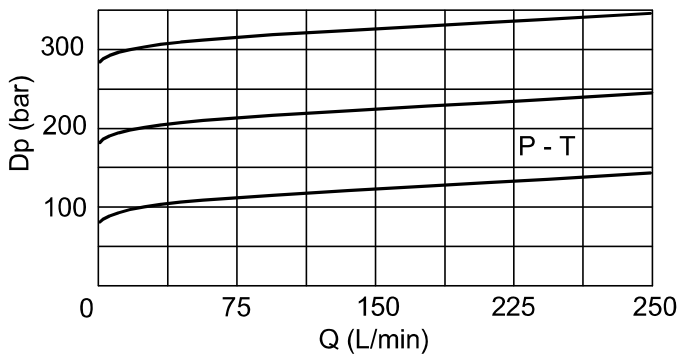
### Dimensions



### Hydraulic Symbol



### Curves



### Features

Max Flow	240 lpm
Max Pressure	350 bar
Installation torque	150-160 Nm

**Materials:** Zinc plated steel cartridge, hardened steel inner parts.  
Aluminium manifold.

### Ordering Code

**PRCDL 250** -- --

Port Size BSP		Spring (bar)	
<b>04</b>	3/4	<b>30</b>	120-350
<b>05</b>	1		