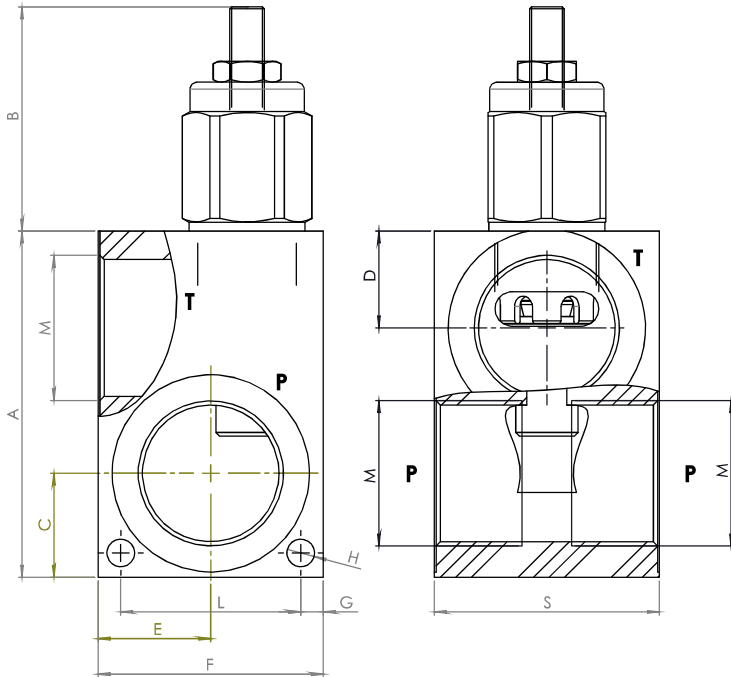
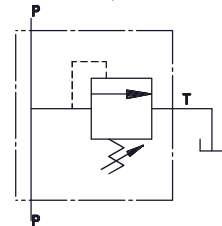


### Dimensions

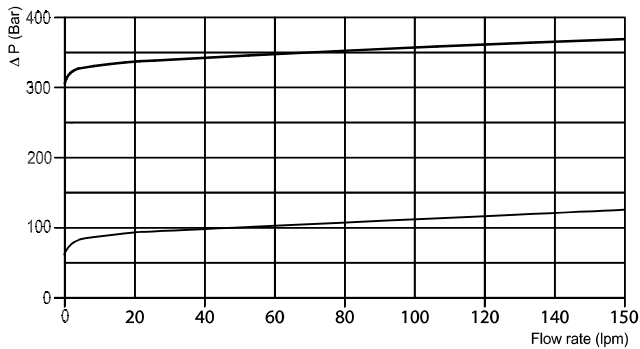


Size	A	B max	C	D	E	F	G	H	L	M BSP	N	S	Weight kg
05	100	65	30	28	32,5	65	6,5	8	52	1	7	65	2,86
06	100	65	30	28	32,5	65	6,5	8	52	1 1/4	7	65	2,54

### Hydraulic Symbol



### Curves



### Features

Rated Flow	150 lpm
Max Pressure	350 bar

**Materials:** Zinc plated steel cartridge, hardened steel inner parts. Steel manifold.

### Ordering Code

**PRL 150**    --    --    -

Port Size BSP		Spring (bar)	
05	1	10	5-120
06	1 1/4	30	50-350

### Adjustments

A		Socket Screw
B		Handknob
C		Tamperproof Cap

**Ordering Code Example:** PRL1500530A = 1 BSP Port Size - 50-350 bar setting range, Socket screw adjustment.