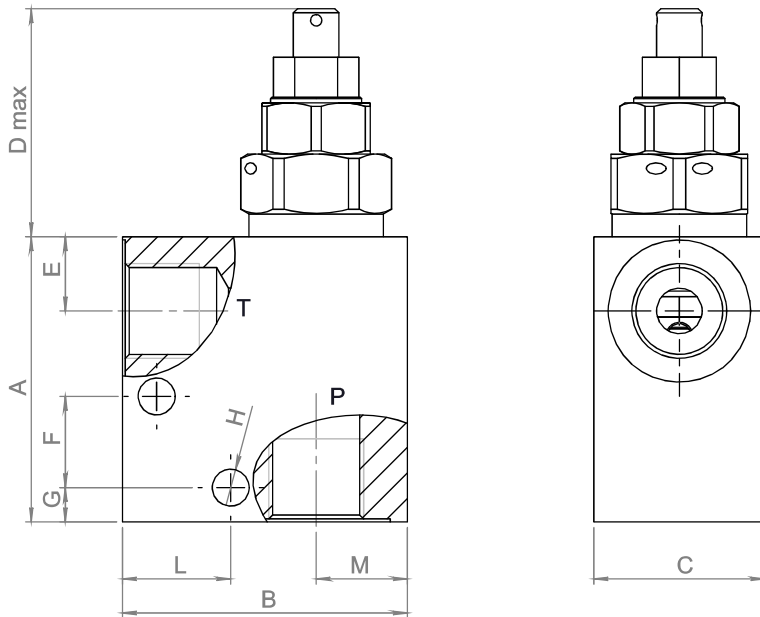
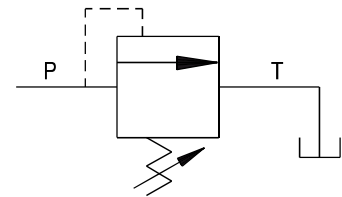


Dimensions

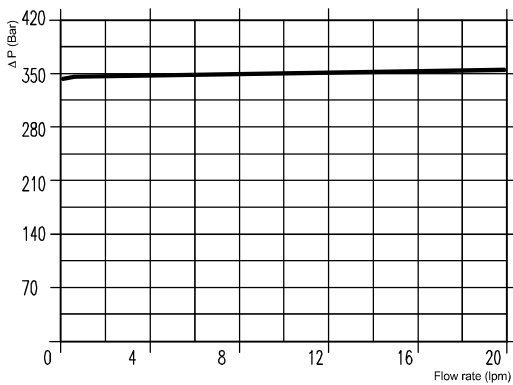


Size	A	B	C	D	E	F	G	H	L	M	P - T BSP	Weight kg
01	50	50	30	40	13	16	6	6,5	19	16	1/4	0,53
02	50	50	30	40	13	16	6	6,5	19	19	3/8	0,51

Hydraulic Symbol



Curves



Features

Rated Flow	20 lpm
Max Pressure	350 bar

Materials: Zinc plated steel cartridge, hardened steel inner parts.
Aluminium manifold.

Ordering Code

PRL 20 -- -- -

Port Size BSP		Spring (bar)	
01	1/4	30	50-350
02	3/8		

Adjustments

A		Socket Screw
----------	--	--------------

Ordering Code Example: PRL200230A - 3/8 BSP - 50-350 bar setting range, Socket screw adjustment.