

STBF-NPTF VALVOLE DI CONTROLLO FLUSSO BIDIREZIONALI BIDIRECTIONAL FLOW CONTROL VALVES



POMELLO IN ALLUMINIO PRESSOFUSO
DIE CAST ALUMINIUM HANDKNOB

POMELLO IN ALLUMINIO TORNITO
TURNED ALUMINIUM HANDKNOB



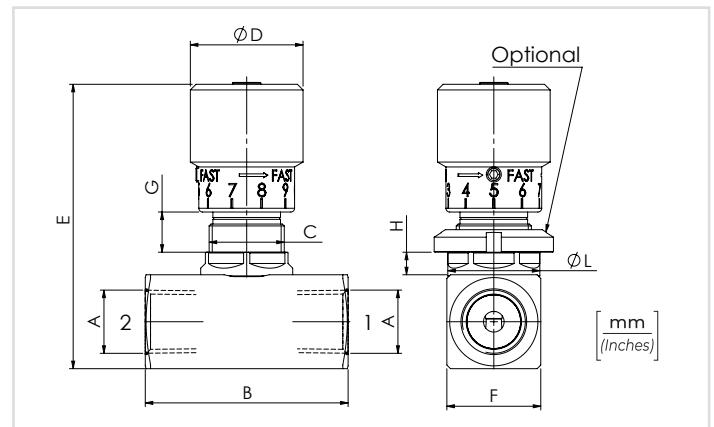
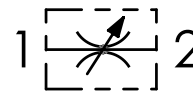
NPTF STBF140N - STBF380N - STBF120N

NPTF STBF180N - STBF340N - STBF100N -
STBF114N - STBF112N

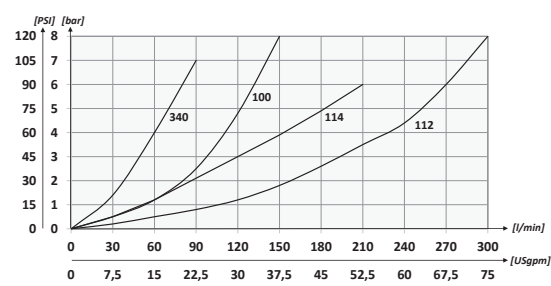
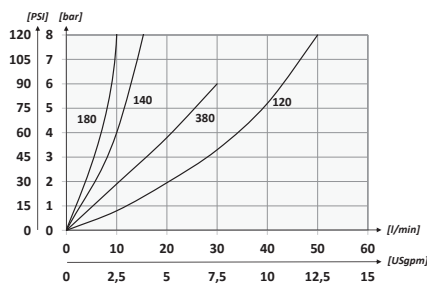
DATI TECNICI / TECHNICAL DATA

Olío idraulico - Mineral oil	ISO 6743/4 (DIN 51524)
Viscosità olio - Oil viscosity	15-250 mm ² /s (15 to 250 cSt)
Classe di contaminazione max Max contamination index	ISO 4406:1999 Classe 19/17/14
Temperatura dell'olio - Oil temperature	-20°C +80°C -4°F +176°F
Temperatura ambiente - Environment temperature	-20°C +50°C -4°F +122°F
È indispensabile l'utilizzo di un filtro per proteggere la valvola (filtrazione consigliata 15 µm) It is necessary a filter use to protect the valve (advised filtration 15 µm)	

SCHEMA IDRAULICO / HYDRAULIC CIRCUIT



PERFORMANCES



CARATTERISTICHE TECNICHE / TECHNICAL CHARACTERISTICS

TIPO TYPE	A	PRESSIONE MAX (bar) MAX PRESSURE (PSI)	PRESSIONE MAX (bar) MAX PRESSURE (PSI)	B	C	D	E	F	G	H	L	OPTIONAL TYPE	PESO APPROX (kg) APPROX WEIGHT (lb)		
STBF180N	NPTF 1/8	10 (2.6)	400 5800	44 (1.73)	M15x1	20 (0.79)	60,5 (2.38)	20 (0.79)	8 (0.31)	5,5 (0.22)	19,5 (0.77)	84100031	0,16 (0.36)		
STBF140N	NPTF 1/4	15 (4)		54 (2.13)	M20x1	33 (1.30)	75 (2.95)	25 (0.98)	7,5 (0.30)	6 (0.24)	24,5 (0.96)	84100022	0,34 (0.75)		
STBF380N	NPTF 3/8	30 (7.9)		64 (2.52)	M25x1,5	81 (3.19)	81 (3.19)	30 (1.18)	9 (0.35)	7 (0.28)	29,5 (1.16)	84100023	0,50 (1.1)		
STBF120N	NPTF 1/2	50 (13.2)		81 (3.19)	M35x1,5		42 (1.65)	110 (4.33)	40 (1.57)	15,5 (0.61)	8 (0.31)	39,5 (1.55)	84100024	1,15 (2.53)	
STBF340N	NPTF 3/4	80 (21.1)		350 (5075)	102 (4.01)	M45x1,5	53 (2.09)	115 (4.53)	45 (1.77)	13,5 (0.53)	10 (0.39)	50 (1.96)	84100030	1,49 (3.30)	
STBF100N	NPTF 1	150 (39.6)	115 (4.53)				45 (1.77)	13,5 (0.53)	10 (0.39)					50 (1.96)	2,54 (5.6)
STBF114N	NPTF 1-1/4	200 (52.8)	115 (4.53)				45 (1.77)	13,5 (0.53)	10 (0.39)					50 (1.96)	3,17 (7)
STBF112N	NPTF 1-1/2	300 (79.2)													