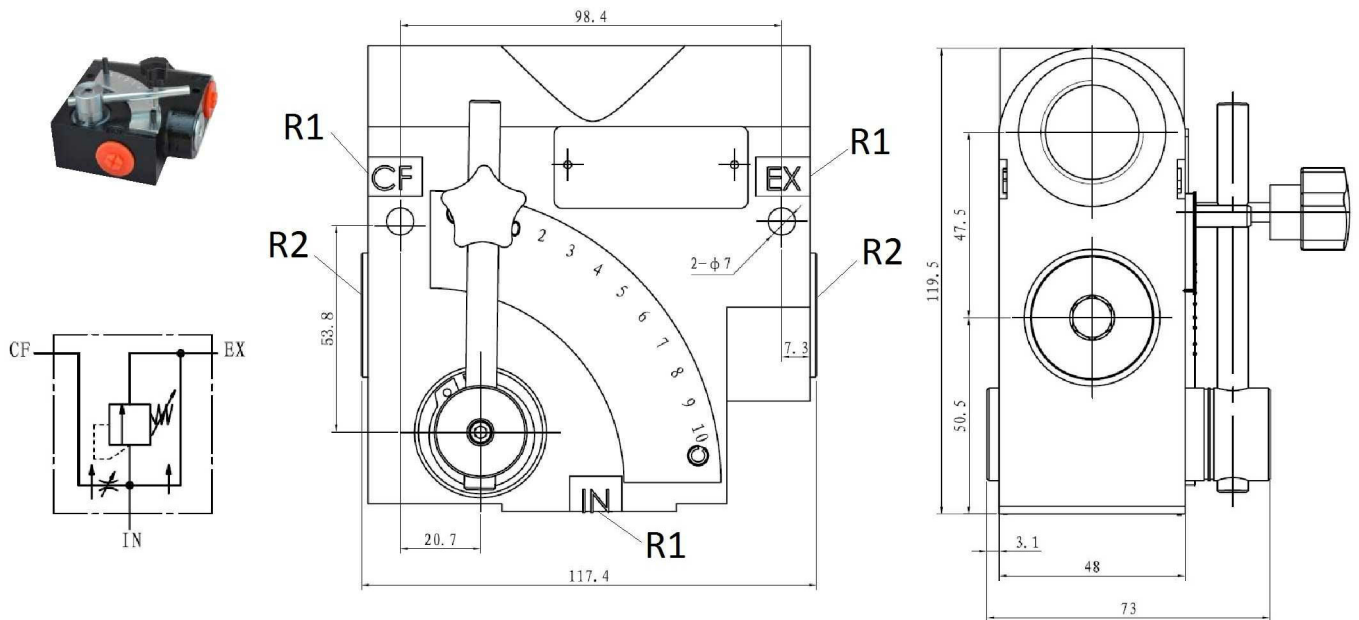


Hydraulic valves

Flow control valve

## Compensated flow control valve 3 ways - Molten body with pressure relief valve

Page: 1/1



Limiting valve regulation: 0-200 Bar

Part n°	R1	R2	Max. flow (l/min)	Max. reg. flow (l/min)	Max. Press. (bar)
VRCL 38	3/8" BSP	M27x2	30	30	200
VRCL 12	1/2" BSP	M27x2	60	60	200
VRCL 34	3/4" BSP	M27x2	110	110	200